



# T322LEDB-G2

22" SKYLINE SERIES

## JOB INFORMATION

Type: \_\_\_\_\_  
 Catalog No: \_\_\_\_\_  
 Project Name: \_\_\_\_\_  
 Comments: \_\_\_\_\_  
 Prepared by: \_\_\_\_\_

T322LEDB-G2

## FEATURES

### USE OF PRODUCT

The Skyline LED luminaire delivers exceptional performance in a sleek, low-profile design with various lumen and optical distribution options. The intended use of this product is for building areas, parking lots, auto dealerships, roadways, walkways, pedestrian pathways, and security lighting.

### CONSTRUCTION

Die-cast aluminum fixture with isolated driver compartment and finned heat sink keep electrical temperatures in suitable ratings for optimal performance.

### FINISH

Bronze matte-finished, architectural powder coat over a precise chromate conversion coating. Consult factory for made-to-order architectural finish.

### ELECTRICAL

≥0.9 Power factor  
 <20% Total harmonic distortion  
 120V–277V 50/60Hz  
 -40°C Minimum temperature  
 +45°C Maximum temperature

### LED

Standard LED driver with 0–10V dimming. Shipped with 10KV surge protection. Optional photo control or PIR (motion) sensor available upon request for further energy savings and security measures. Consult factory for PIR setting capabilities.

### DRIVER

Durable LED driver operates at 120–277V with 0–10V dimming protocol. Power factor: 0.90; 50 to 60 Hz. Driver protections include output open load, over-current and short-circuit, and over-temperature with auto recovery. -30°C minimum temperature to 40°C maximum temperature.

### OPTICS

Precisely designed optics to maximize distribution, efficiency, and spacing. UV resistance polycarbonate lens is available in Type III (standard), Type IV, or Type V distribution patterns. Offered standard in 4000K CCT in 72+ CRI. Optional 3000K, 3500K, or 5000K CCT are available upon request.

### MOUNTING

Round/square pole arm mount with quick mount design for ease of installation, wall mount, or adjustable slipfitter available upon request. Fixture pole must be mounted on a concrete base (supplied by others).

### EPA

Effective projected area (Sq. Ft): 0.988 ft<sup>2</sup>.

### LISTINGS/COMPLIANCE/ WARRANTY

- UL/cUL wet location listed.
- DLC qualified.
- 5-year limited warranty.



## ORDERING INFO

SERIES	WATT/LUMENS	COLOR TEMPERATURE	VOLTAGE	DISTRIBUTION TYPES
T322LEDB	<b>WS300</b> - Wattage Selectable (120W, 180W, 240W, 300W) <b>S120W</b> - Set at 120W <b>S180W</b> - Set at 180W <b>S240W</b> - Set at 240W <b>S300W</b> - Set at 300W	<b>CTS</b> - Color Temp. Selectable (3000K, 4000K, 5000K) <b>S30K</b> - Set at 3000K <b>S40K</b> - Set at 4000K <b>S50K</b> - Set at 5000K	<b>UNV<sup>1</sup></b> - 120V-277V <b>480V<sup>2</sup></b> - 347-480V	<b>T2</b> - Type II <b>T3<sup>3</sup></b> - Type III <b>T4</b> - Type IV <b>T5</b> - Type V
	<b>WS400</b> - Wattage Selectable (160W, 240W, 320W, 400W) <b>S160W</b> - Set at 160W <b>S240W</b> - Set at 240W <b>S320W</b> - Set at 320W <b>S400W</b> - Set at 400W			

### MOUNTING

**AMR** - Arm Mount Round  
**AMS** - Arm Mount Square  
**AAM** - Adjustable Square Mount  
**AWM** - Adjustable Wall Mount  
**WM** - Fixed Wall Arm Mount  
**SF** - Slipfitter  
**SB** - Swivel Bracket  
**TWMB-SF<sup>4</sup>** - Wall Mount Bracket with Slipfitter  
**TWMB90-SF<sup>4</sup>** - Wall Mount 90° Bracket with Slipfitter

### FINISH

**BZ** - Bronze  
**MTO** - Made To Order  
**MGTO** - Marine Grade Made To Order

### OPTIONS

**GV90** - 90° Glare Visor  
**GV360** - 360° Glare Visor  
**MSI** - Standard PIR Motion Sensor Integral  
**MSR<sup>3</sup>** - Motion Sensor PIR Remote  
**RC100** - Remote Control for Motion Sensor  
**PN3** - Photocell NEMA 3 Pin  
**PN3480** - Photocell NEMA 3 Pin 480V  
**SGS140** - Slatted Glare Shield (PAIR) 140V  
**SGS300** - Slatted Glare Shield (PAIR) 300V

### Notes

1. D.L.C. Only available in 120-277V
2. Dedicated driver.
3. Standard Distribution Type
4. Bracket with 2.375" (OD) tenon.

# T322LEDB-G2

22" SKYLINE SERIES

T322LEDB-WS300 PERFORMANCE CHART

WATTAGE	DISTRIBUTION TYPE	CRI	3000K	4000K	5000K
300W	T2	70	43769 lm	48503 lm	44702 lm
	T3	70	44208 lm	44813 lm	44723 lm
	T4	70	41099 lm	45082 lm	42077 lm
	T5	70	42598 lm	46088 lm	43582 lm
240W	T2	70	33687 lm	37062 lm	34589 lm
	T3	70	33669 lm	34566 lm	37072 lm
	T4	70	33660 lm	37064 lm	34589 lm
	T5	70	34569 lm	38091 lm	35576 lm
180W	T2	70	26027 lm	28656 lm	26665 lm
	T3	70	26025 lm	28656 lm	26666 lm
	T4	70	26050 lm	28672 lm	26675 lm
	T5	70	26679 lm	29747 lm	27594 lm
120W	T2	70	18057 lm	20099 lm	18556 lm
	T3	70	18084 lm	20099 lm	18571 lm
	T4	70	18064 lm	20082 lm	18551 lm
	T5	70	18562 lm	20872 lm	19033 lm

T322LEDB-WS300 B.U.G. RATING

WATTS	DISTRIBUTION	B U G
300W	Type II	5 0 4
	Type III	4 0 4
	Type IV	4 0 4
	Type V	5 0 4

T322LEDB-WS400 PERFORMANCE CHART

WATTAGE	DISTRIBUTION TYPE	CRI	4000K	5000K
400W	T2	70	60500 lm	60000 lm
	T3	70	60500 lm	60000 lm
	T4	70	60500 lm	60000 lm
	T5	70	61000 lm	60800 lm
320W	T2	70	49000 lm	48600 lm
	T3	70	49000 lm	48600 lm
	T4	70	49000 lm	48600 lm
	T5	70	50000 lm	49500 lm
240W	T2	70	37600 lm	37200 lm
	T3	70	37600 lm	37200 lm
	T4	70	37600 lm	37200 lm
	T5	70	38500 lm	37600 lm
160W	T2	70	26000 lm	25600 lm
	T3	70	26000 lm	25600 lm
	T4	70	26000 lm	25600 lm
	T5	70	26500 lm	26000 lm

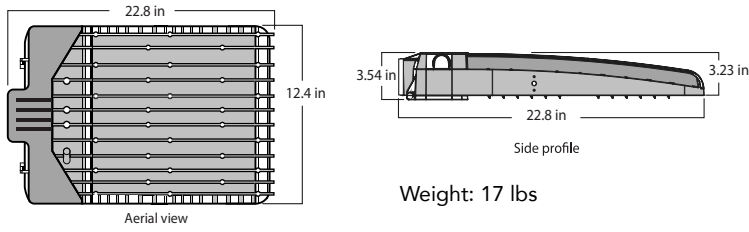
T322LEDB-WS400 B.U.G. RATING

WATTS	DISTRIBUTION	B U G
400W	Type II	5 0 4
	Type III	5 0 5
	Type IV	5 0 5
	Type V	5 0 5

# T322LEDB-G2

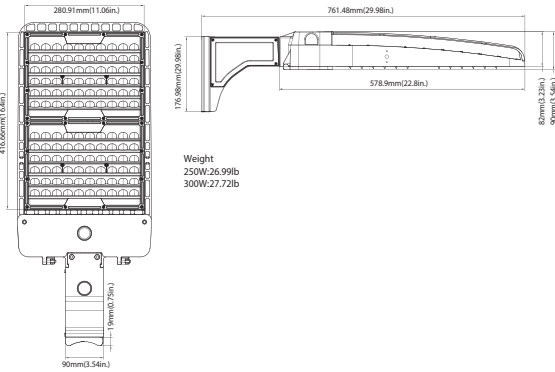
22" SKYLINE SERIES

## DIMENSIONS

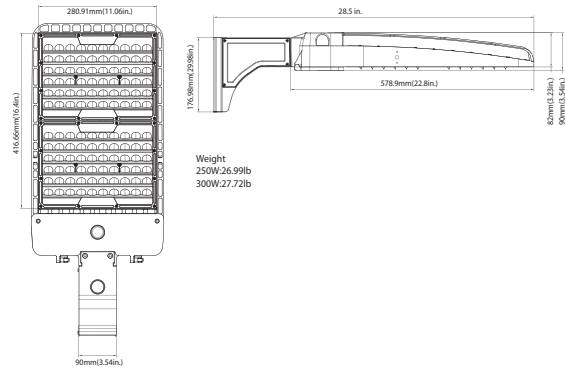


## MOUNTING DIMENSIONS

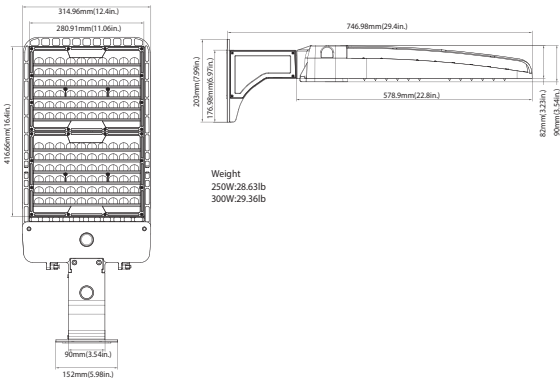
### AMR - ARM MOUNT FOR ROUND POLE



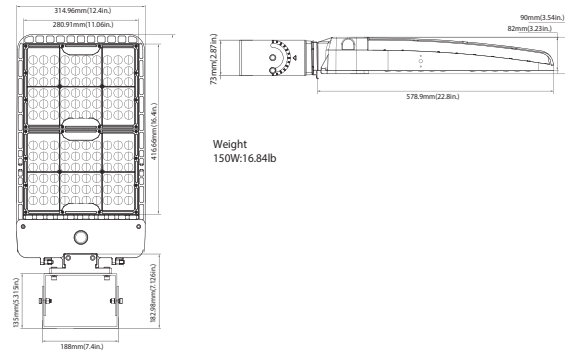
### AMS - ARM MOUNT FOR SQUARE POLE



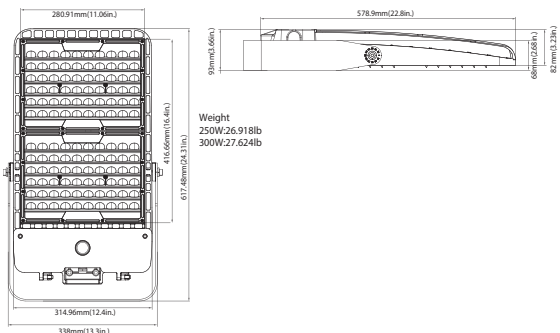
### WM - FIXED WALL ARM MOUNT



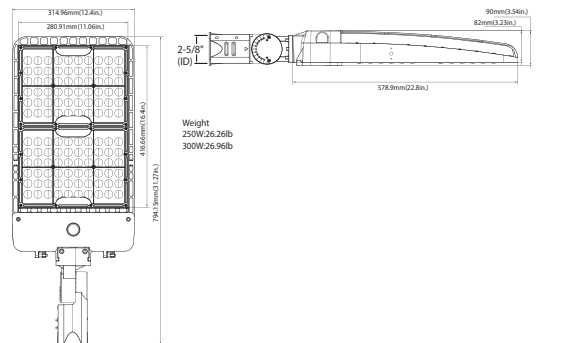
### SB - SWIVEL BRACKET



### YM - YOKE MOUNT



### SF - SLIPFITTER

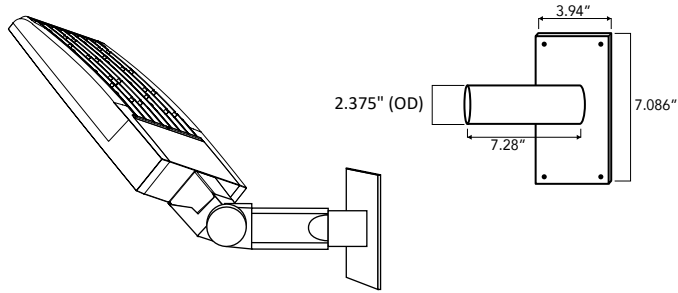


# T322LEDB-G2

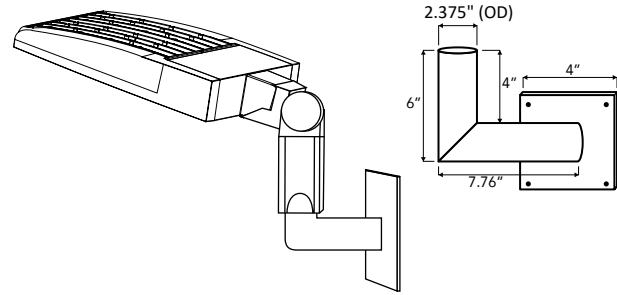
22" SKYLINE SERIES

## OPTIONAL MOUNTING

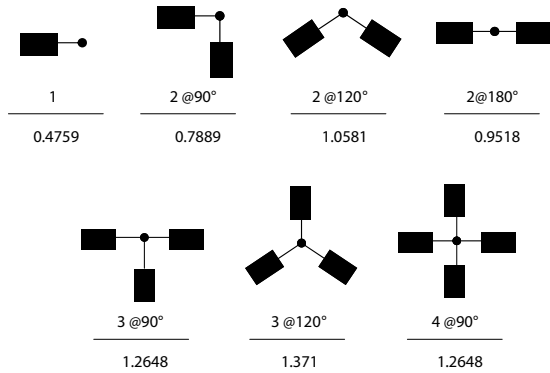
TWMB-SF - WALL MOUNT BRACKET WITH SLIPFITTER



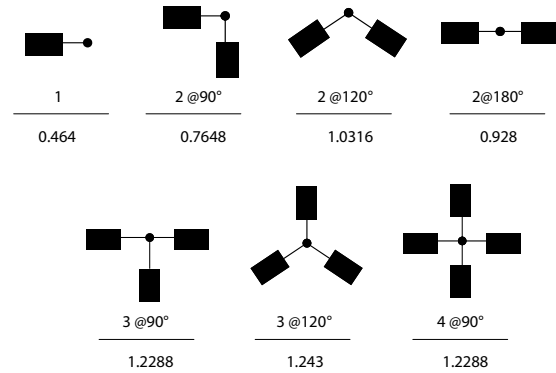
TWMB90-SF - WALL MOUNT 90° BRACKET WITH SLIPFITTER



EPA OF AREA LIGHT (SQUARE)

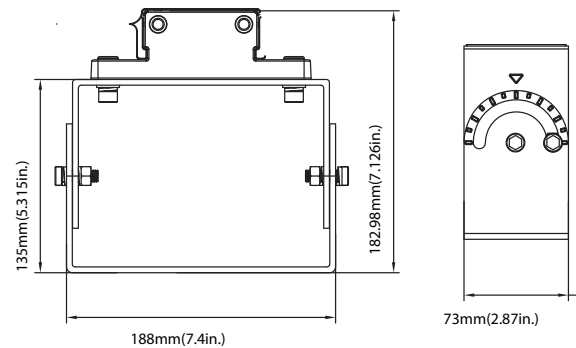


EPA OF AREA LIGHT (SLIPFITTER)

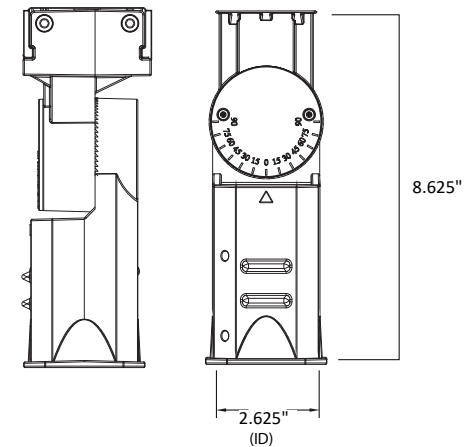


## DIMENSIONS

SWIVEL BRACKET



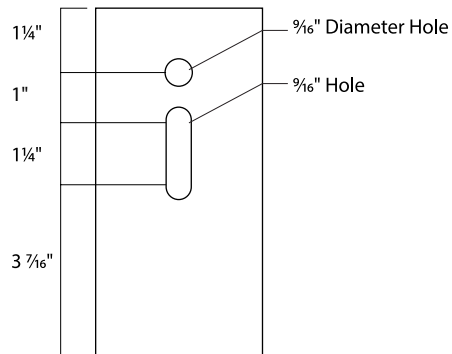
SLIPFITTER



# T322LEDB-G2

22" SKYLINE SERIES

## DRILL PATTERN



## GLARE VISOR OPTIONS

**GV90** - 90° Glare Visor



**GV360** - 360° Glare Visor



**SGS140** - Slatted Glare Shield 140V

**SGS300** - Slatted Glare Shield 300V



For back light control